

PRG Centrifugal pumps

Technical data

- Delivery rate
 $Q_{\max} = 62 \text{ l/min}$
- Delivery head
 $H_{\max} = 32 \text{ m}$
- Temperature range
 -20°C to $+60^{\circ}\text{C}$
- Kinematic viscosity
 $\nu_{\max} = 20 \text{ mm}^2/\text{s}$



PRG – Immersion pumps, sealless

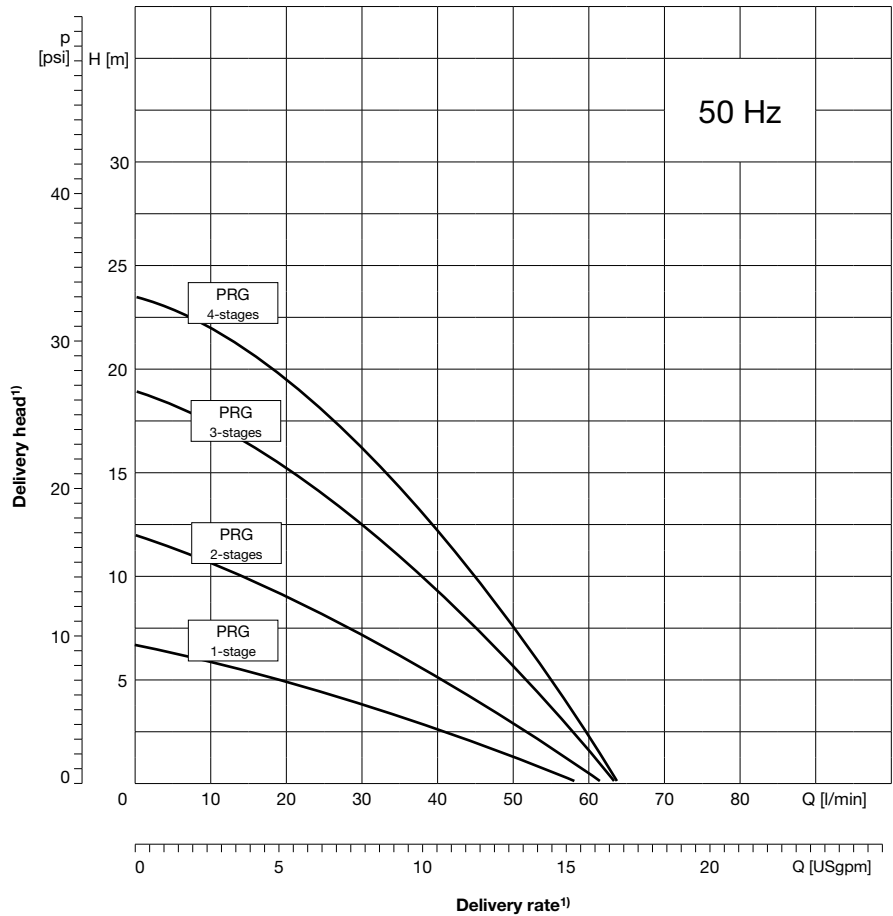
50 Hz, closed impellers

PRG



Features

- One or multi-stages centrifugal pump
- For delivery of slightly contaminated types of fluids
- Installation directly and vertically into the reservoir
- Pressure port is located above the reservoir plate and designed with internal thread G1 1/4



Technical Data

Delivery rate Q_{max}	62 l/min
Delivery head H_{max}	23 m
Immersion depth t_{max}	320 mm
Immersion depth	max. 20 mm ² /s
Delivery temperature	-20 °C to +60 °C
Grain size	max. Ø0,3 mm
Contamination	max. 50 g/m ³
Direction of rotation	clockwise (as viewed looking down on the motor's ventilation side)
Fluids delivered	Water, emulsions (synthetic / mineral oil), also with chemical additives, distilled water deionization, ized water, photographic solutions

Mechanical design

Component	Material
Flange	POM / GF
Shaft	1.4122
Impeller	PEI / GF
Intermediate chamber	POM / GF
Pumps bottom	POM / GF
Bushing	PTFE graphite

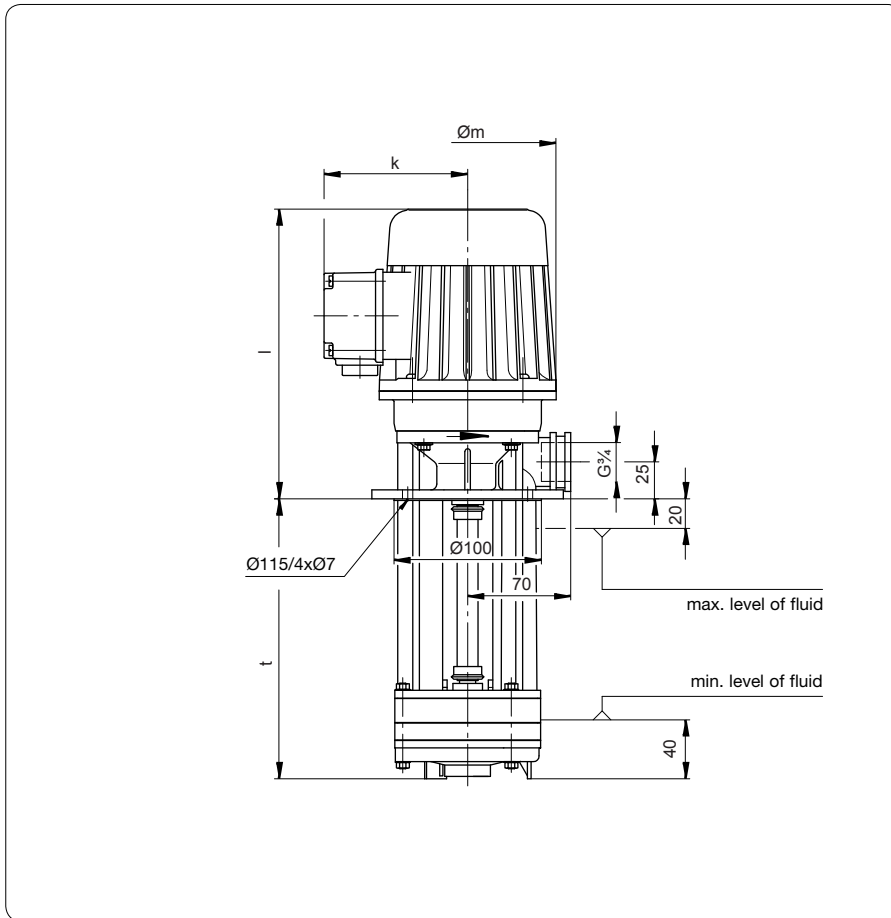
Variations

Component	Material
Mixing paddle	plastic

¹⁾ Data for viscosity of ~1 mm²/s at a density of ~1 kg/dm³. Minimum volumetric flow: 5 to 10 % of nominal delivery rate.

PRG – Immersion pumps, sealless

50 Hz, closed impellers



Electrical data, dimensions and weights at 50 Hz

Type of pump			Immer- sion depth t [mm]	Rated motor values					Dimensions [mm]			Weight [kg]	Sonic pressure [dBA]	Pressure port (DIN ISO 228)
Series	Frame size	Stages		Voltage Δ/Y U [V]	Motor index	Output P_N [kW]	Current $\Delta/Y I_N$ [A]	Speed n_N [min ⁻¹]	$\varnothing m$	k	l			
PRG	06	01	120	230/400	A	0,09	0,46/0,26	2618	96	89	173	2,8 – 3,1	44	G $\frac{3}{4}$
			140											
			170											
			220											
		02	140	230/400	B	0,12	0,71/0,41	2637	96	89	173	2,9 – 3,3	45	G $\frac{3}{4}$
			160											
			190											
			240											
	03	170	230/400	C	0,18	0,86/0,50	2812	120	99	197	4,5 – 4,9	48	G $\frac{3}{4}$	
		190												
		220												
		270												
	04	200	230/400	E	0,37	1,72/1,00	2667	120	99	197	4,8 – 5,0	49	G $\frac{3}{4}$	
		220												
		250												
		300												

PRG

PRG – Immersion pumps, sealless

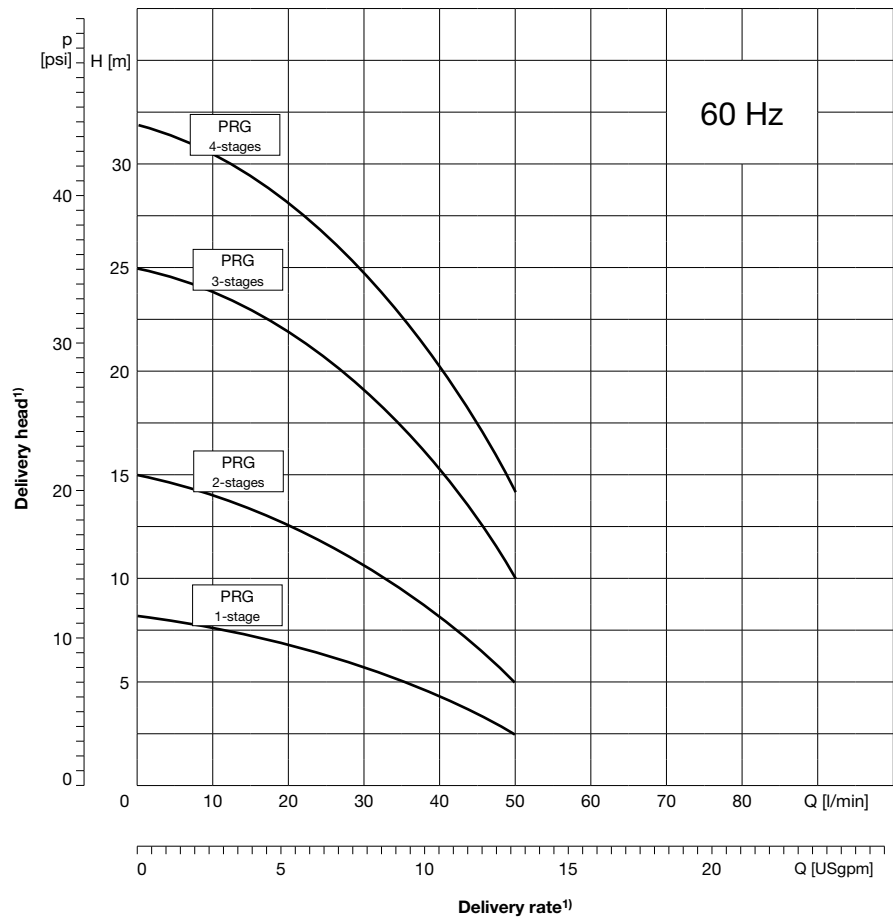
60 Hz, closed impellers



PRG

Features

- One or multi-stages centrifugal pump
- For delivery of slightly contaminated types of fluids
- Installation directly and vertically into the reservoir
- Pressure port is located above the reservoir plate and designed with internal thread G1 1/4



Technical Data

Delivery rate Q_{max}	50 l/min
Delivery head H_{max}	32 m
Immersion depth t_{max}	320 mm
Immersion depth	max. 20 mm ² /s
Delivery temperature	-20 °C to +60 °C
Grain size	max. Ø0,3 mm
Contamination	max. 50 g/m ³
Direction of rotation	clockwise (as viewed looking down on the motor's ventilation side)
Fluids delivered	Water, emulsions (synthetic / mineral oil), also with chemical additives, distilled water deionization, ized water, photographic solutions

Mechanical design

Component	Material
Flange	POM / GF
Shaft	1.4122
Impeller	PEI / GF
Intermediate chamber	POM / GF
Pumps bottom	POM / GF
Bushing	PTFE graphite

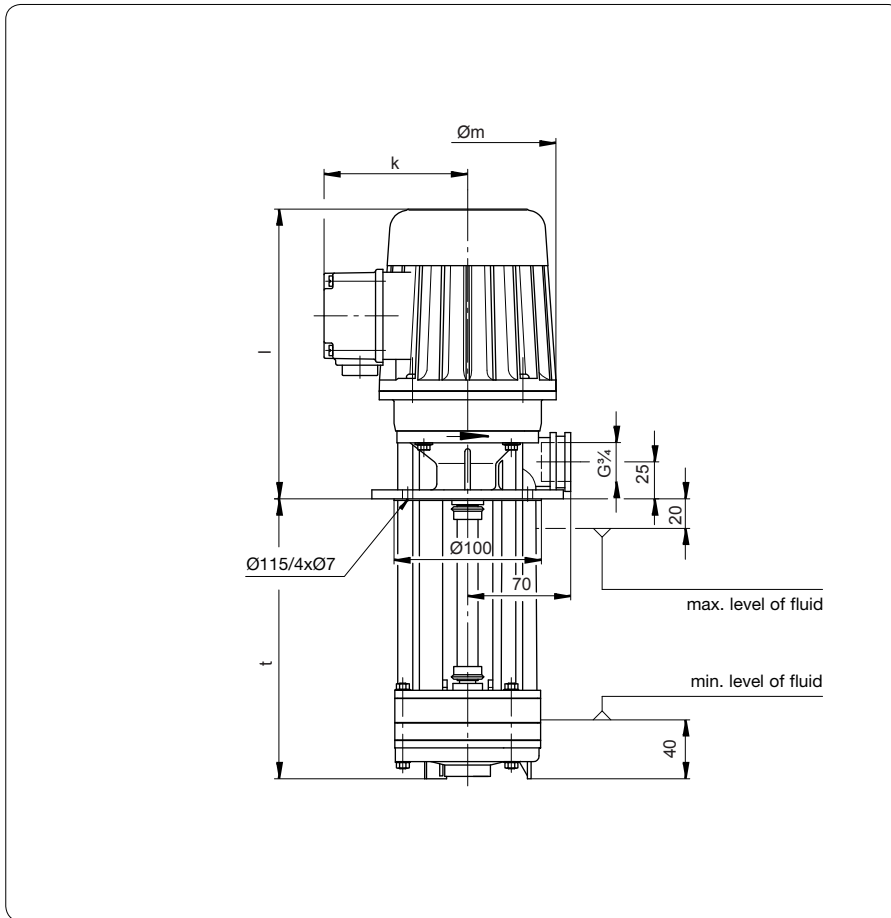
Variations

Component	Material
Mixing paddle	plastic

¹⁾ Data for viscosity of ~1 mm²/s at a density of ~1 kg/dm³. Minimum volumetric flow: 5 to 10 % of nominal delivery rate.

PRG – Immersion pumps, sealless

60 Hz, closed impellers



Electrical data, dimensions and weights at 60 Hz

Type of pump			Immer- sion depth t [mm]	Rated motor values					Dimensions [mm]			Weight [kg]	Sonic pressure [dBA]	Pressure port (DIN ISO 228)
Series	Frame size	Stages		Voltage Δ/Y U [V]	Motor index	Output P_N [kW]	Current $\Delta/Y I_N$ [A]	Speed n_N [min ⁻¹]	$\varnothing m$	k	l			
PRG	06	01	120	265/460	A	0,10	0,46/0,26	3257	96	89	173	2,8 – 3,1	45	G $\frac{3}{4}$
			140											
			170											
			220											
			270											
		02	140	265/460	B	0,14	0,71/0,41	3274	96	89	173	2,9 – 3,3	46	G $\frac{3}{4}$
			160											
			190											
			240											
		03	170	265/460	C	0,21	0,86/0,50	3437	120	99	197	4,5 – 4,9	50	G $\frac{3}{4}$
			190											
			220											
			270											
			320											
		04	200	265/460	E	0,42	1,72/1,00	3329	120	99	197	4,8 – 5,0	51	G $\frac{3}{4}$
			220											
250														
300														

PRG

PRG – Immersion pumps, sealless

Order key

PRG

P	R	G																
---	---	---	--	--	--	--	--	--	--	--	--	--	--	--	--	--	--	--

Series

Frame size

06

Stages

To determine the desired number of stages the corresponding characteristics has to be used.

01 = 1-stage

...

04 = 4-stages

Materials

P = POM (standard)

Seal

B = gap bush (standard)

Pump design

S = standard design**I** = intruder

Immersion depth in

To determine the desired immersion depth the appropriate table "Electrical data, dimensions and weights" has to be used.

120 = 120 mm

...

320 = 320 mm

Motorindex

To determine the desired immersion depth the appropriate table "Electrical data, dimensions and weights" has to be used.

Example:

E = 0,37 kW

Power supply

01 = 230/400 V at 50 Hz

265/460 V at 60Hz

05 = **standard for Europe**

230/400 V 50 Hz

... further designs on request

Motor index

AA = standard to 0,55 kW (insulation class F, IP 54, 2-pole)**EA** = single-phase motor

... further designs on request

Order example: PRG0602PBS160B05AA

Series:: **PRG**, frame size: **06**, **02**-stages, material: **P** POM plastic, seal:: **B** bush, Pump design: **S** standard design, immersion depth: **160** mm, Motor index: **B** 0,12 kW, Power supply: **05** 230/400 V 50 Hz; Motor design: **AA** standard

The contents of this publication are the copyright of the publisher and may not be reproduced (even extracts) unless our written permission is granted. Every care has been taken to ensure the accuracy of the information contained in this publication, but no liability can be accepted for any loss or damage whether direct, indirect or consequential, arising out of use of the information contained herein.

SKF Lubrication Systems Germany GmbH
Product department Spandau Pumps

Motzener Strasse 35/37 · 12277 Berlin · Germany
PF 970444 · 12704 Berlin · Germany
Tel. +49 (0)30 72002-0 · Fax +49 (0)30 72002-261
SpandauPumpen@skf.com
www.spandaupumpen.com

This brochure was presented by: